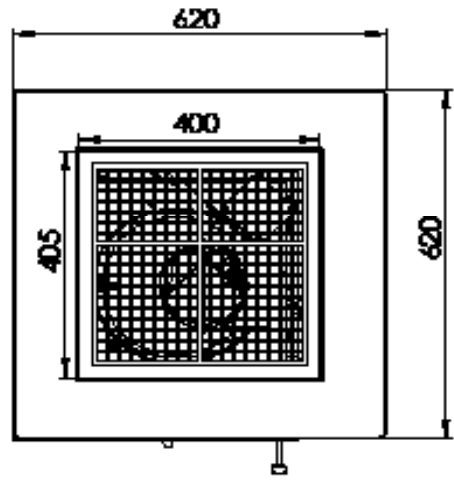
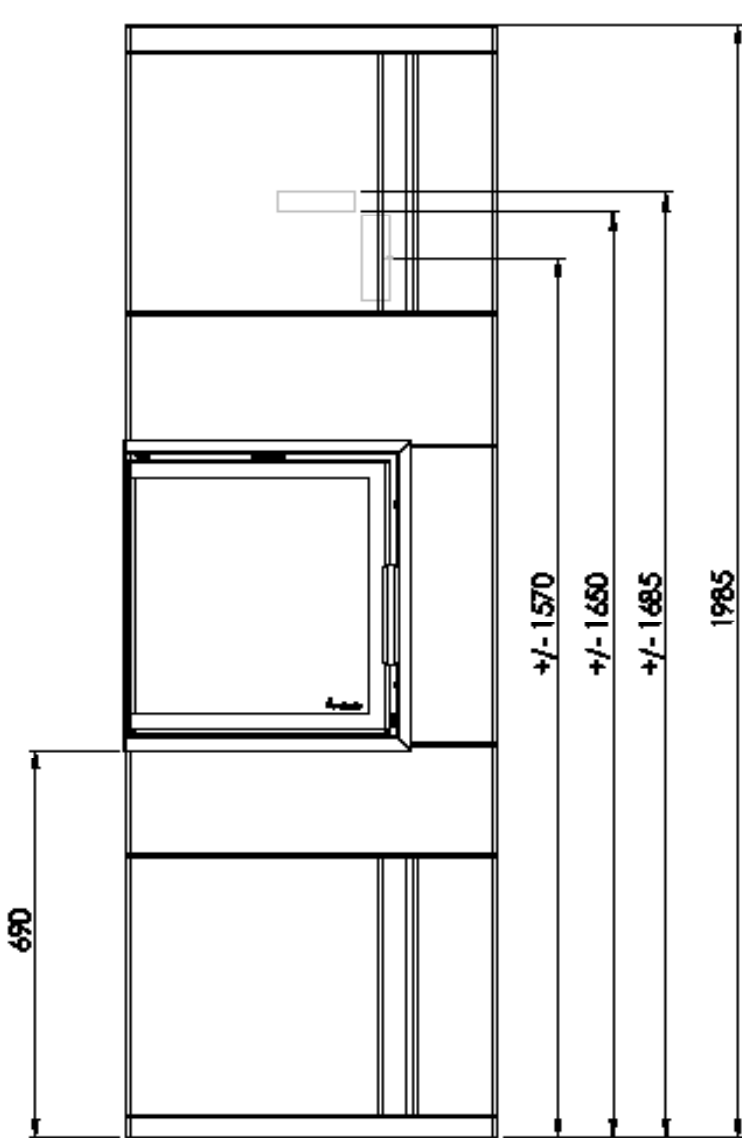
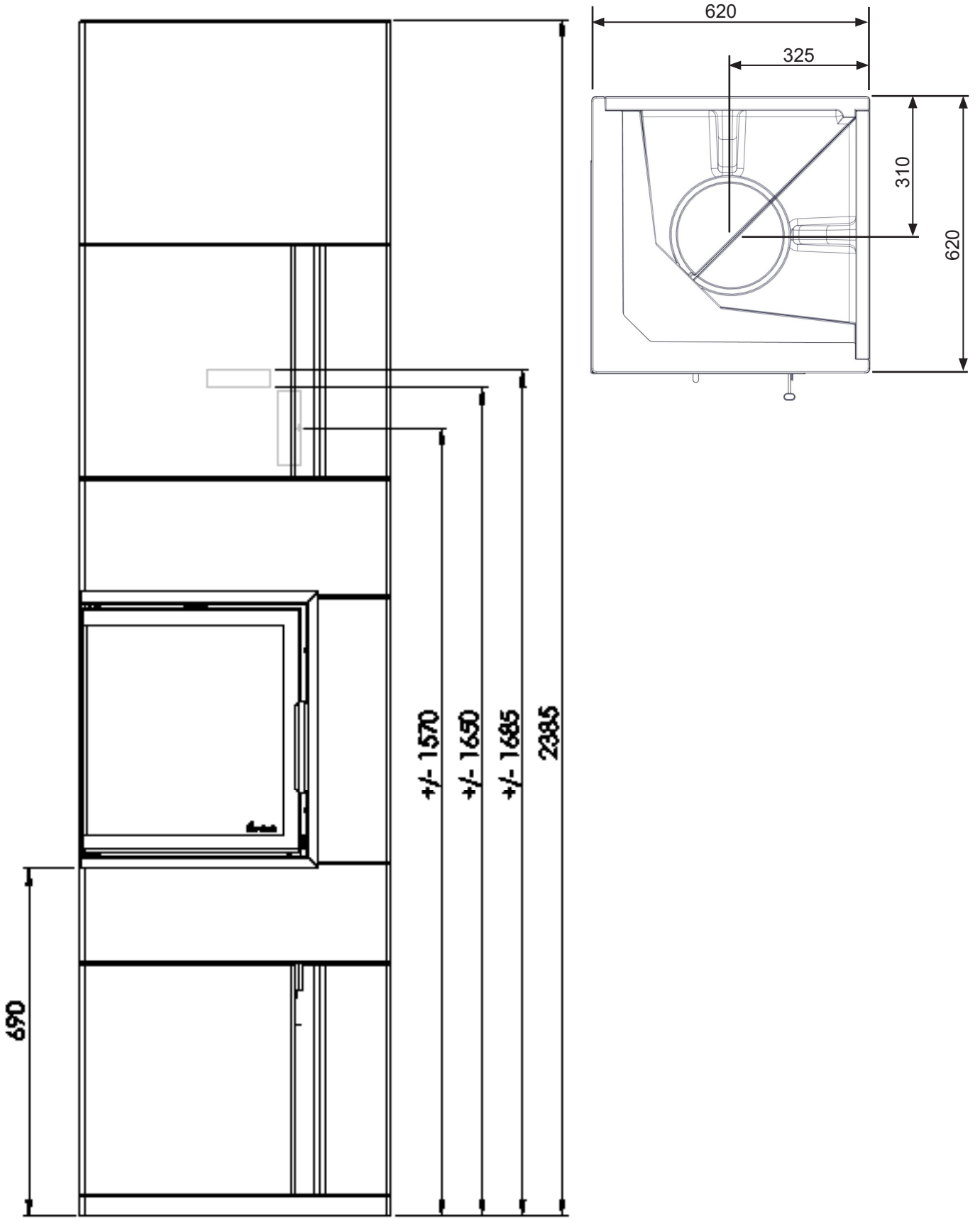


Chicago II
=mm



Chicago H II
=mm



Chicago II High/Low
=mm AIR

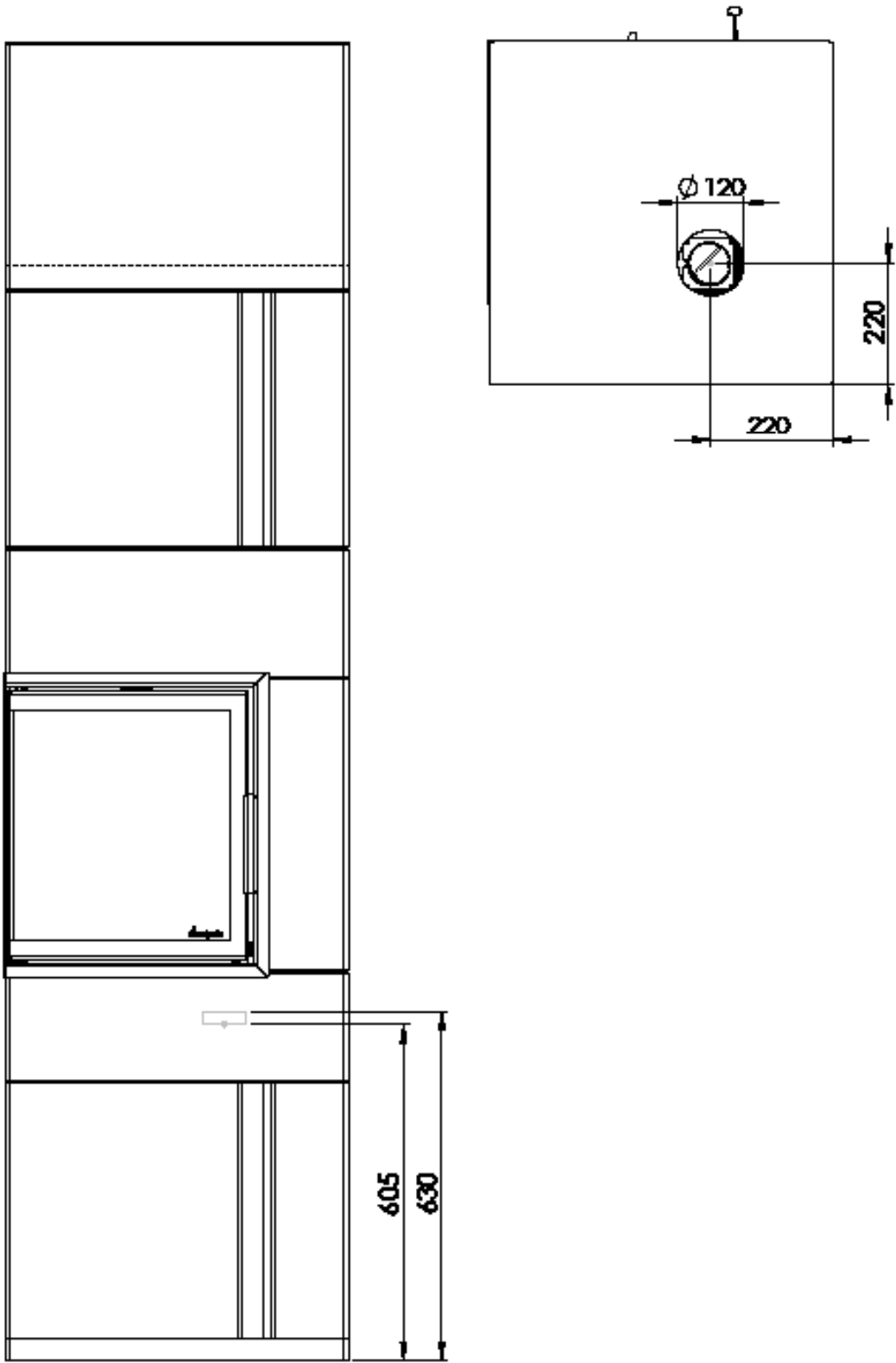


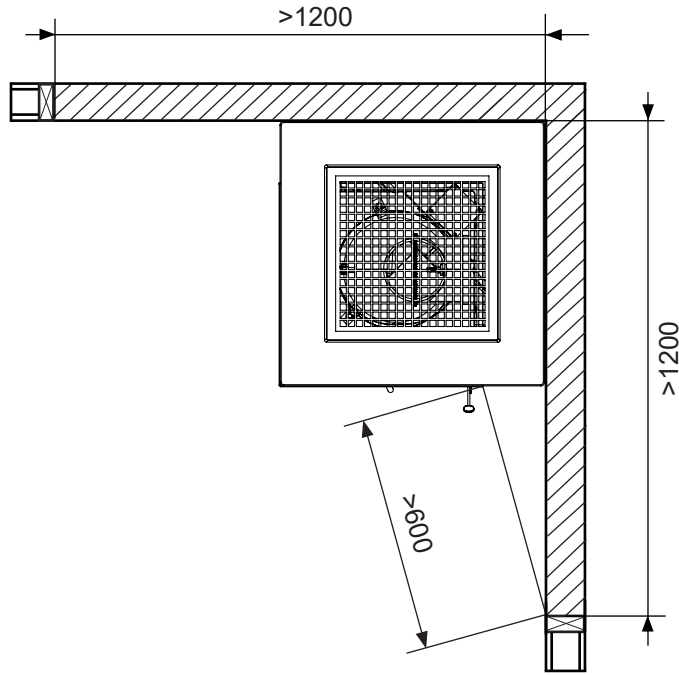


FIG 1

 = Brannmur/Brandmur/Palomuuri/Firewall/Mur parfeu/Hitzenschutzwand
 = Brennbar materiale/Brændbart materiale/ Brännbart material/ Tulenarka materiaali/Combustible material/ Matières combustibles/Brennbarem Material



* Chicago Low/lav
** Chicago High/høy

